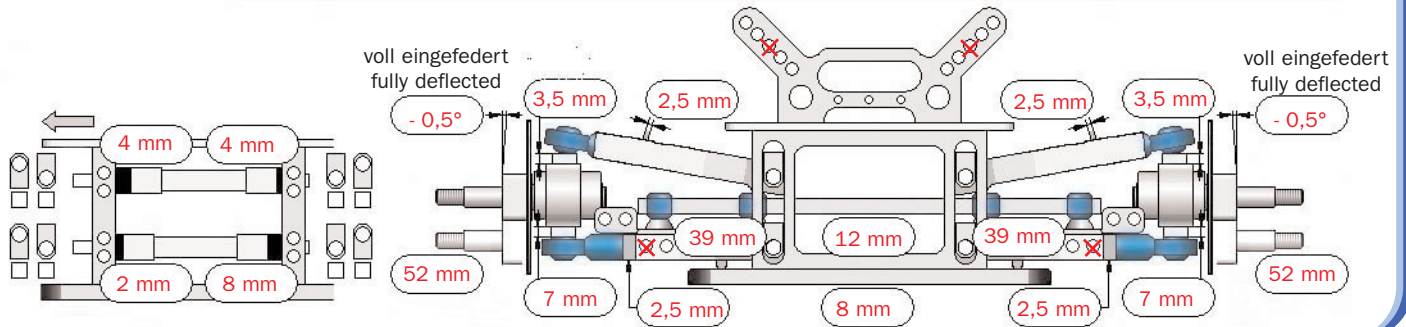


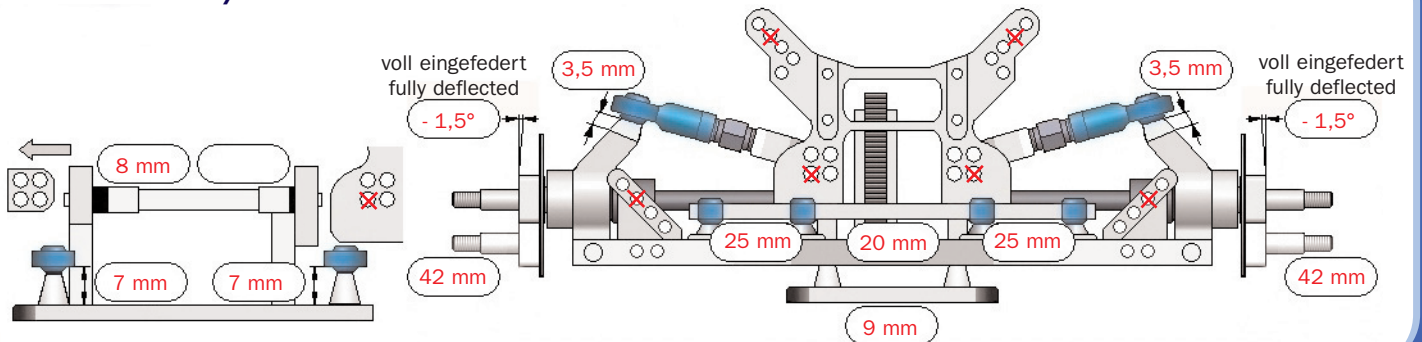
Vorderachse/front axle

Achsschenkel vorne/front axle hubs

- | | |
|---|---|
| <input type="checkbox"/> Standard | <input type="checkbox"/> Standard |
| <input type="checkbox"/> deachsiert/off-set 1,5 mm | <input type="checkbox"/> deachsiert/off-set 1,5 mm |
| <input checked="" type="checkbox"/> deachsiert/off-set 3,0 mm | <input checked="" type="checkbox"/> deachsiert/off-set 3,0 mm |

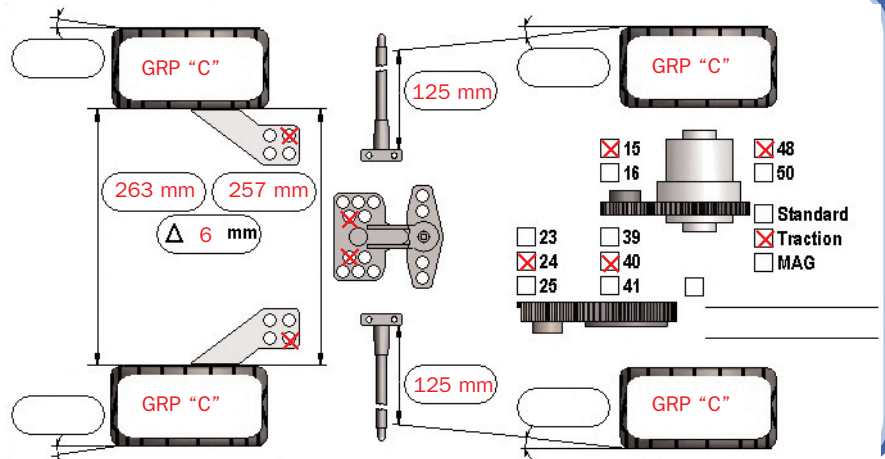
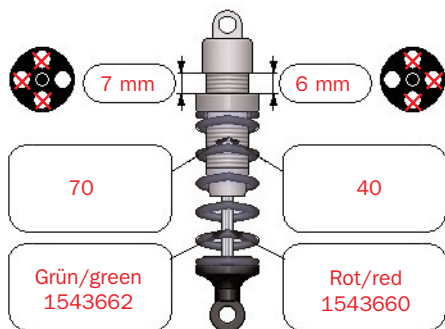


Hinterachse/rear axle



Vorderachse front axle

Hinterachse rear axle



Karosserie/body: _____

Gewicht/weight: _____

Motor: _____

Wetter/weather: _____

Reso/pipe: _____

Temperatur/temperature: _____

Airbox: _____

Temperatur Rennstrecke/temperature race track: _____

Kupplung/clutch: _____

Notizen/notice: _____